



Borkov, Denmark, 8:17 am



Hydraulic Reversible Plate Compactor



PCR3820 Series	PCR4025 Series	PCR5030 Series
110kg/243lb	145kg/320lb	170kg/375lb



PCR6037 Series	PCR6040 Series	PCR6550 Series	PCR7060 Series	PCR8010 Series
275kg/606lb	350kg/772lb	400kg/882lb	465kg/1025lb	750kg/1653lb

HYDRAULIC REVERSIBLE PLATE COMPACTOR

PCR3820/PCR4025/PCR5030 SERIES

Reversible plate compactors are ideal and versatile for high production and efficient compaction for sand, gravel and cohesive soils. The reversible vibratory plates offer two eccentric weights which increase the compaction force while creating a smooth transition between forward and reverse travel.

Ideally suited for confined granular and mixed soil applications such as trenches, highways, dams, parking areas, airports bridges, and construction foundations.



Features

- Hydraulic adjustment control lever for easy direction change.
- On the spot compaction for problem areas.
- Infinitely variable hydrostatic forward and reverse motion.
- Reverse travel safety protection ensures the plate automatically reverts to slow forward travel if the operator releases the travel control lever while reversing.
- User friendly isolated vibration handle.
- Fully sealed lubricated wear resistant cast iron vibrator assembly.
- Handle folds to 45 and 90 degree position for easy transportation and storage.
- Heavy-duty roll cage with lifting eye protects against dirt and damage for easy transportation.
- Impact-resistant and open self cleaning base plate.
- Unique built-in transport wheels provides easy transportation.
- Convenient Oil drain hose.
- Robust design sealed belt cover for clutch and belt protection.
- Electric starter is an option for diesel engine.
- The optional polyurethane pad for paving applications is available.
- Powered by gasoline as HONDA, ROBIN, and diesel as LOMBARDINI, HATZ.

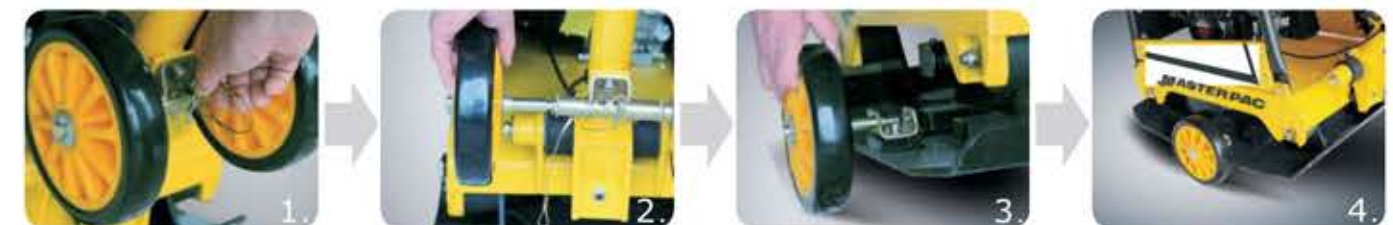


90° handle position for space-saving storage



45° handle position for easy transport

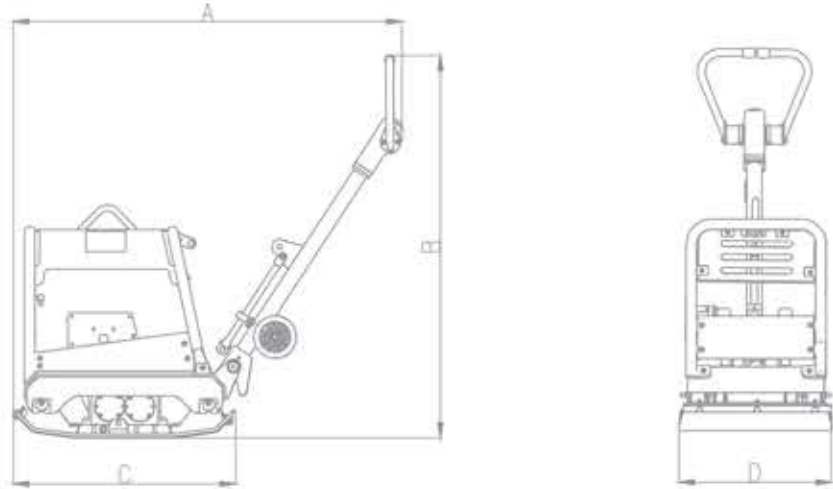
How to assemble transport wheel?



HYDRAULIC REVERSIBLE PLATE COMPACTOR

PCR3820/PCR4025/PCR5030 SERIES

Working Size(mm/in)



Model	A	B	C	D
PCR3820 Series	1155/46	1000/39	580/23	380/15
PCR4025 Series	1245/49	1008/40	648/26	400/16
PCR5030 Series	1268/48	1010/40	695/27	500/20

Option



- M - Rubber mat for pavement
- W - Transport wheel for easy transport
- S - Electric starter

Technical Specification



Model	PCR3820H	PCR3820R
Engine Type	Honda GX160	Robin EX17
Power kw(hp)	4.0(5.5)	4.2(5.7)
Weight kg(lb)	110(242)	110(242)
Plate Size L X W cm(in)	58x38(23x15)(Cast iron plate available)	
Centrifugal Force kN	20	
Vibration Frequency vpm(Hz)	5400(90)	
Travel Speed m/min(ft/min)	22(72)	



Model	PCR4025H	PCR4025R	PCR4025L	PCR4025A
Engine Type	Honda GX160	Robin EX17	Lombardini LD225	Hatz 1B20
Power kw(hp)	4.0(5.5)	4.2(5.7)	3.5(4.8)	3.5(4.8)
Weight kg(lb)	145(320)	145(320)	158(348)	158(348)
Plate Size L X W cm(in)	65x40(26x16)(Cast iron plate available)			
Centrifugal Force kN	25			
Vibration Frequency vpm(Hz)	5400(90)			
Travel Speed m/min(ft/min)	22(72)			



Model	PCR5030H	PCR5030R	PCR5030L	PCR5030A
Engine Type	Honda GX200	Robin EX17	Lombardini LD350	Hatz 1B30
Power kw(hp)	4.8(6.5)	4.2(5.7)	5.5(7.5)	5.4(7.3)
Weight kg(lb)	171(377)	171(377)	187(412)	187(412)
Plate Size L X W cm(in)	69x50(27x20)(Cast iron plate available)			
Centrifugal Force kN	30			
Vibration Frequency vpm(Hz)	5400(90)			
Travel Speed m/min(ft/min)	20(66)			

*We reserve the right to improve or withdraw the specification or product without prior notice.

HYDRAULIC REVERSIBLE PLATE COMPACTOR



PCR6037/PCR6040/PCR6550/PCR7060/PCR8010 SERIES

Masterpac reversible plate compactors are ideal and versatile for high production and efficient compaction for sand, gravel and cohesive soils. The reversible vibratory plates offer two eccentric weights which increase the compaction force while creating a smooth transition between forward and reverse travel.

Heavy-duty compactors are suitable for compaction of sand gravel, crushed aggregate as well as mixed soil with some cohesive content. Widely used in trench work, underground work (cable, water pipe, etc), backfilling along foundations and surface preparation.



Features

- Hydraulic adjustment control lever for easy direction change.
- On the spot compaction for problem areas.
- Variable hydrostatic forward and reverse motion.
- Reverse travel safety protection ensure the plate automatically reverts to slow forward travel if the operator releases the travel control lever while reversing.
- User friendly isolated vibration handles.
- Fully sealed lubricated wear resistant cast iron vibrator assembly.
- Handle folds to 90 degree position for ease of transportation.
- Heavy-duty roll cage with lifting eye protects against dirt and damaging for easy transportation.
- Impact – resistant and open self cleaning base plate.
- Unique built in transport wheels provides easy transportation.
- Convenient oil drain hose.
- Robust design sealed belt cover for clutch and belt protection.
- Easy access to all maintenance points.
- Compact design with lower center of gravity.
- Electric starter as option for Lombardini diesel engine.



Handle folds to 90 degree position for ease of transportation.



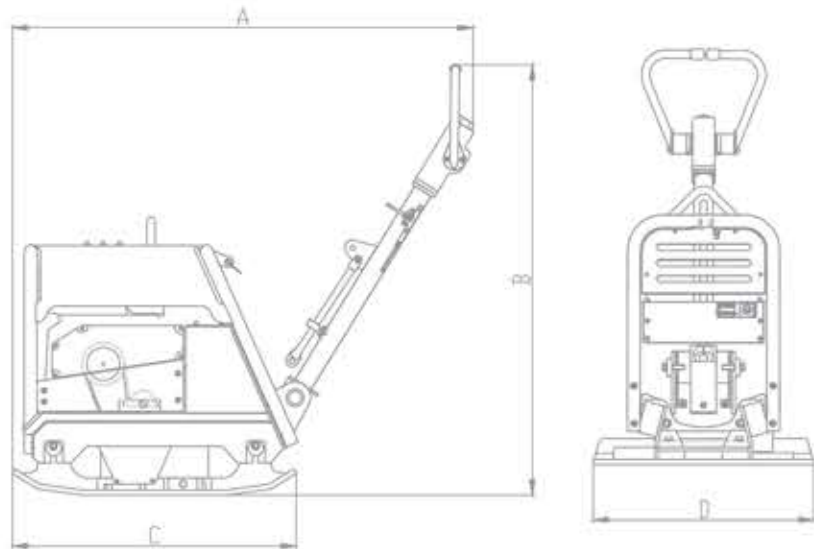
600-700 mm wider plate size

HYDRAULIC REVERSIBLE PLATE COMPACTOR

PCR6037/PCR6040/PCR6550/PCR7060/PCR8010 SERIES



Working Size(mm/in)



Model	A	B	C	D
PCR6037 Series	1440/57	1035/41	800/31	600/34
PCR6040 Series	1540/61	1047/41	900/35	600/34
PCR6550 Series	1540/61	1047/41	900/35	655/26
PCR7060 Series	1585/62	1040/41	900/35	708/28
PCR8010 Series	2145/84	1196/47	1150/45	800/31

Option



S - Electric starter

Model	PCR6037H	PCR6037A
Engine Type	Honda Gx270	Hatz 1B30
Power kw(hp)	6.6(9.0)	5.4(7.3)
Weight kg(lb)	275(606)	290(640)
Plate Size L X W cm(in)	80x60(31x24)	
Centrifugal Force kN	37	
Vibration Frequency vpm(Hz)	4140(69)	
Travel Speed m/min(ft/min)	20-24(66-79)	

Technical Specification

Model	PCR6040H	PCR6040L	PCR6040A
Engine Type	Honda GX270	Lombardini 15LD440	Hatz 1B40
Power kw(hp)	6.6(9.0)	8.1(11)	7.5(10.2)
Weight kg(lb)	355(783)	375(825)	378(833)
Plate Size L X W cm(in)	90x60(35x24)		
Centrifugal Force kN	40		
Vibration Frequency vpm(Hz)	4140(69)		
Travel Speed m/min(ft/min)	20-24(66-79)		

Model	PCR6550H	PCR6550L	PCR6550A
Engine Type	Honda GX390	Lombardini 15LD440	Hatz 1B40
Power kw(hp)	9.6(13.0)	8.1(11)	7.5(10.2)
Weight kg(lb)	396(873)	410(904)	413(911)
Plate Size L X W cm(in)	90x65(35x26)		
Centrifugal Force kN	50		
Vibration Frequency vpm(Hz)	4140(69)		
Travel Speed m/min(ft/min)	20-25(66-82)		

Model	PCR7060L	PCR7060A
Engine Type	Lombardini 15LD440	Hatz 1B40
Power kw(hp)	8.1(11)	7.5(10.2)
Weight kg(lb)	465 (1025)	468(1032)
Plate Size L X W cm(in)	90x70(35x28)	
Centrifugal Force kN	60	
Vibration Frequency vpm(Hz)	4140(69)	
Travel Speed m/min(ft/min)	20-25(66-82)	

Model	PCR8010
Engine Type	Lombardini KD477-2
Power kw(hp)	17/23
Weight kg(lb)	750/1653
Plate Size L X W cm(in)	80x115(31x45)
Centrifugal Force kN	100
Vibration Frequency vpm(Hz)	3360(56)
Travel Speed m/min(ft/min)	24-27(79-89)

*We reserve the right to improve or withdraw the specification or product without prior notice.

NEW

