

FORWARD PLATE COMPACTOR PCL4015



Plate compactor with extra low Hand-Arm Vibrations (HAVs)

Never compromising on performance and productivity, Masterpac's new plate compactor PCL4015 is designed with extra low HAVs, making the operation safer, easier, and eventually longer. This plate is ideal to work on soil, asphalt and sub-base, as it maintains a high efficiency without exposing operators to excessive harmful HAVs.



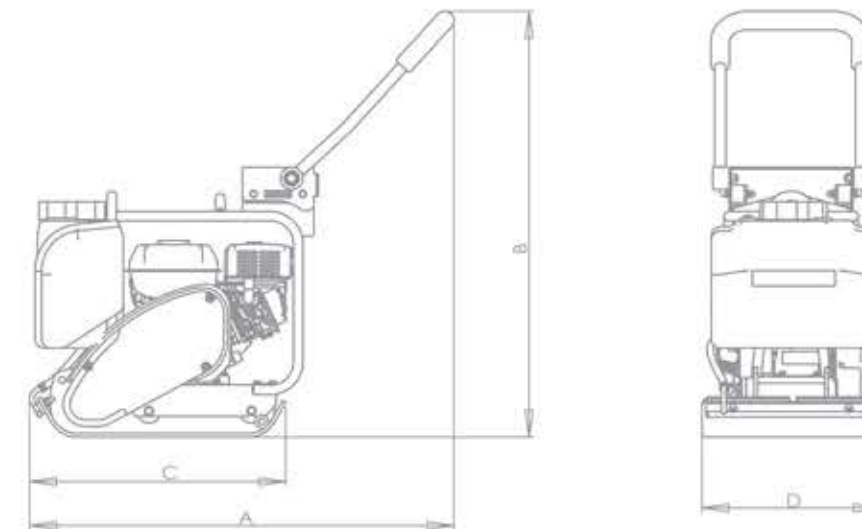
PCV series with vib-free handle



Foldable handle for easy transportation

Features

- A lightweight plate compactor with the advantages of a heavyweight
- High vibration frequency increases the productivity and compactness.
- Extra low hand-arm vibration levels without additional weight.
- Double mounted, mass plate anti-vibration system.
- Cost effective design and manufacturing results in price competitive with standard machines.
- Total engine protection frame



Working Size (mm/in)

Model	A	B	C	D
PCL4015	953/38	956/38	575/23	400/16

Model	PCL4015
Engine Type	Honda GX160
Power kw(hp)	4.1(5.5)
Weight kg(lb)	74(163)
Plate size l x W cm(in)	40 x 38(16x15)
Centrifugal Force kN	14
Vibration Frequency vpm(hz)	7560(126)
Travel Speed m/min(ft/min)	20(66)